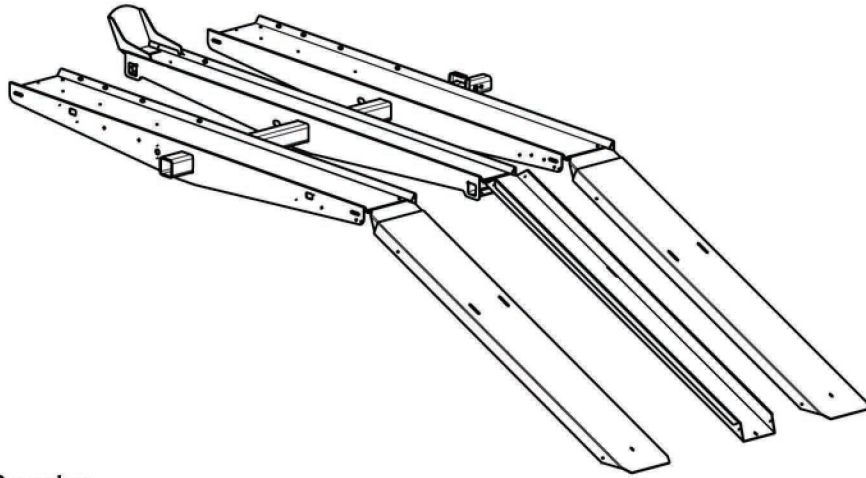
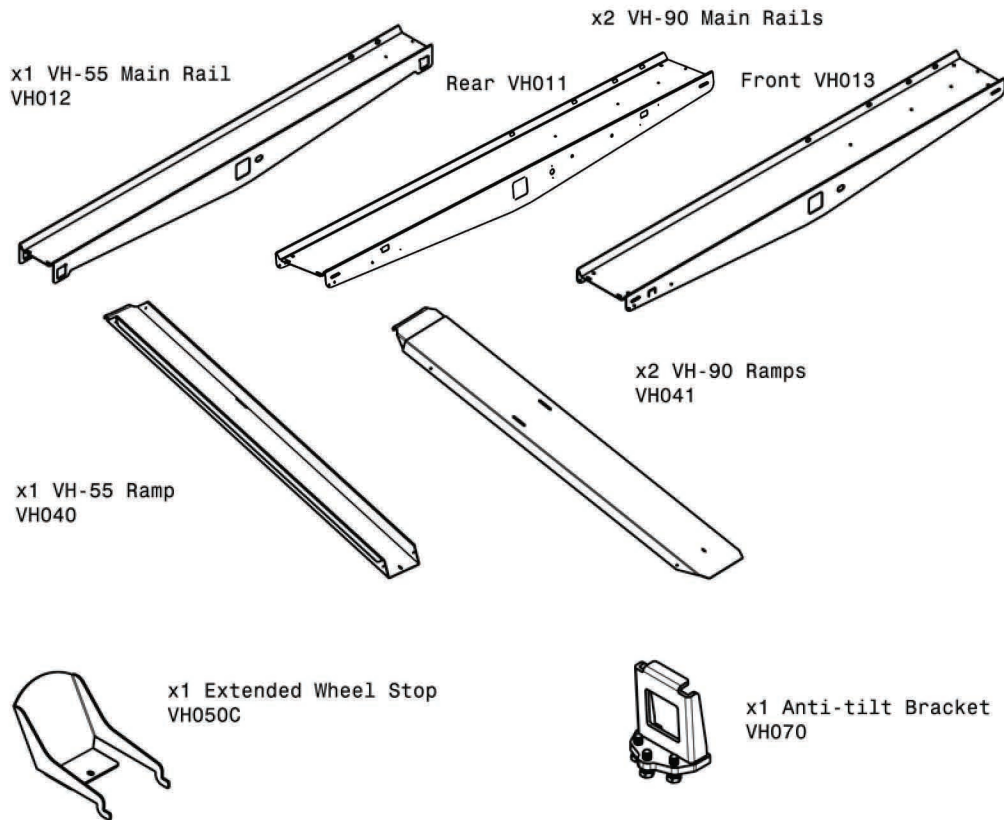


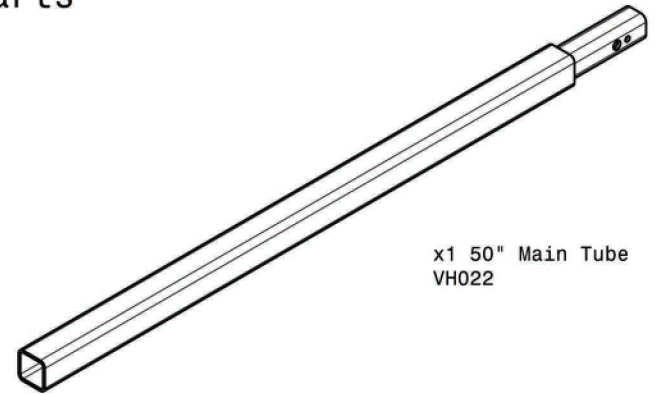
VH-TRIKE INSTRUCTION BOOKLET



Parts



Parts



x1 50" Main Tube
VH022



x8 Tie Down Loops
VH032



x12 Main Tube Bolts
3/8" x 1 1/4" bolts
VH-230



x1 Main Tube Safety Bolt
5/16" x 1/2" Bolt
VH221



x1 Wheelstop Bolt
5/16" x 3/4" bolt
VH-220



x8 Tie Down Loop Carriage Bolts
5/16" x 3/4" bolts
VH-226



x10 5/16" Washer
for 5/16" bolts
VH-225

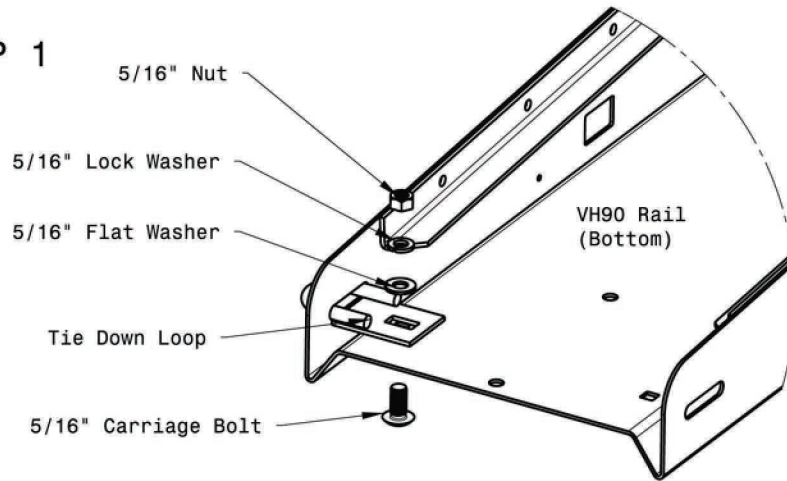


x10 5/16" Lock Washer
for 5/16" bolt
VH-222



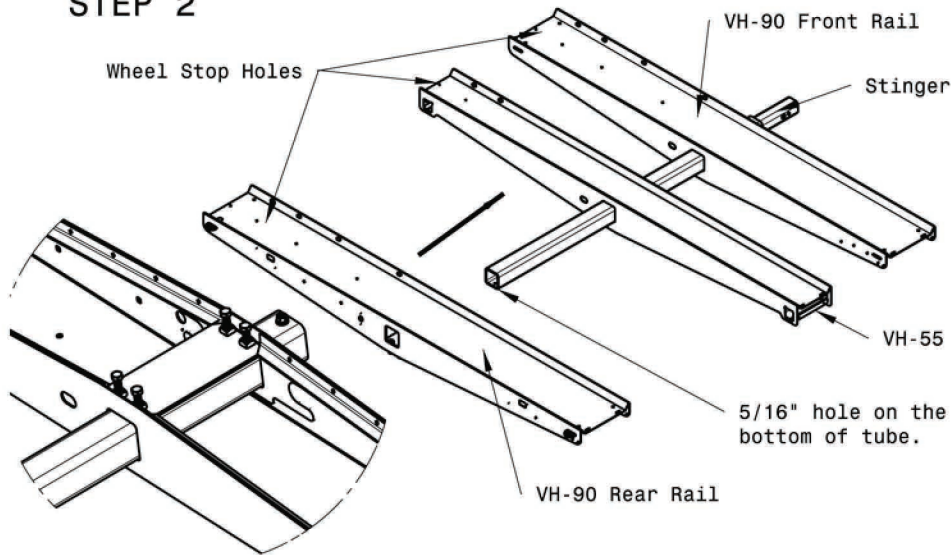
x9 5/16" Nuts
VH-223

STEP 1



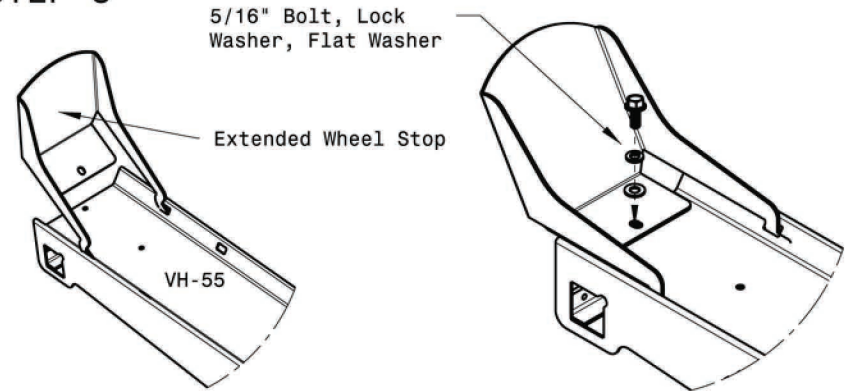
Insert the Tie Down Loops into the VH90 Main Rails and secure them with the 5/16" Carriage Bolt, Flat Washer, Lock Washer, and Nuts.

STEP 2



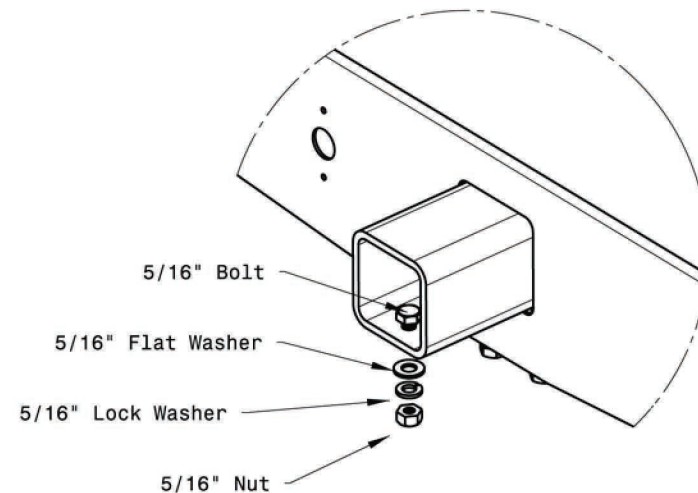
Insert the Main Tube into the Main Rails with the VH-55 Rail in between the VH-90 Rails and secure with the x4 3/8" x 1 1/4" Bolts on the bottom of each Rail. The bolts tighten up to the Main Tube and prevents sliding. Be sure the holes for the wheel stops are all on the same side and the 5/16" hole in the end of the Main Tube is on the bottom to ensure proper assembly.

STEP 3



Insert the two tabs on the Extended Wheel Stop into the slots on the top of the VH-55 Rail. Fasten it to the rail with the 5/16" Bolt, Lock Washer, and Flat Washer in that order.

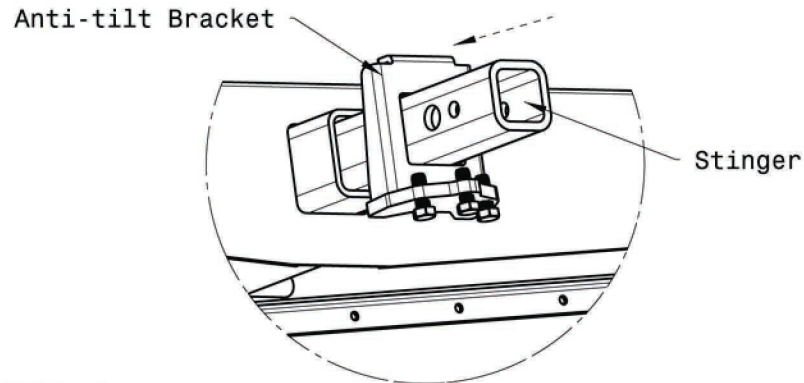
STEP 4



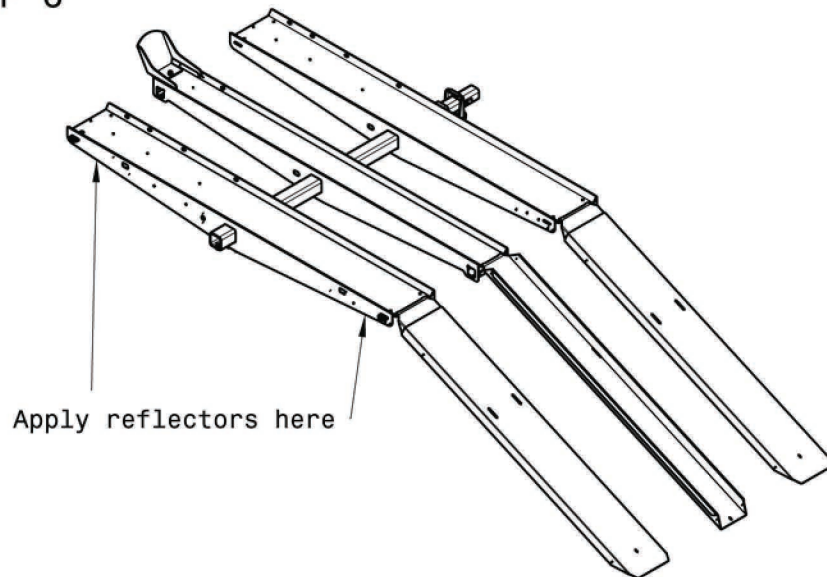
As a final precaution, install the 5/16" x 1/2" Bolt in the hole at the end of the tube and securing with the Flat Washer, Lock Washer, and Nut.

STEP 5

To attach your assembled Versahaul to your vehicle, first slip the Anti-tilt Bracket over the stinger as shown, making sure the bolts are toward the vehicle. Insert the stinger into the receiver and secure it with a hitch pin. Tighten all three 3/8" x 1 1/4" hex head bolts on the Anti-tilt Bracket against the bottom of the receiver using a 9/16" wrench.



STEP 6



Finally, apply reflectors to the ends of the rear face of the rear rail. Holes for the License Plate mount and optional Taillight Kit can be punched out and used if necessary. Both the front and rear of the trike must be strapped down during transport.

Warning

A warning indicates a potentially hazardous situation which, if not avoided, could result in death or serious injury.

1. Read all instructions and save them for later reference.
2. Follow all warnings and instructions marked on the product.
3. Do not stand on the Versa-Haul.
4. Do not ride any vehicle during loading.
5. Store Versa-Haul carrier in a safe place.
6. Do not exceed vehicle tongue weight rating.
7. Only use with class III hitch.
Most class III hitches limit Versa-Haul to 500 lbs. total hauling capacity.
8. Improper use of carrier could result in death or serious injury.
9. Do not put Versahaul onto a 5th wheel trailer or any other kind of trailer.
10. **VH-Trike carrying capacity is limited to 600 lbs. max. Your vehicle suspension and hitch may limit the hauling capacity of the carrier.** For more information on vehicles and hauling capacities, visit www.versahaul.com

Manufacturer Information

Manufacturer's Name: BNK, Inc.

Manufacturer's Address:
BNK, Inc.
9341 S. St. Rd. 39
Winamac, IN 46996
(888) 818-9915

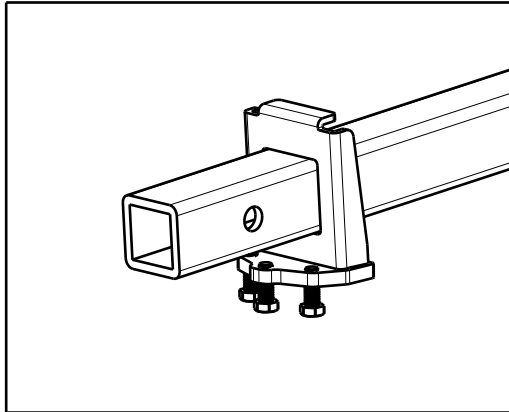
Product Name: VH-Trike
Product Description: Versa-Haul Small Trike Carrier
Model Number(s): VH-Trike
Patent Number:

Serial number _____
(please fill in serial number affixed to Versa-Haul)

Anti-Tilt Bracket Installation Guide

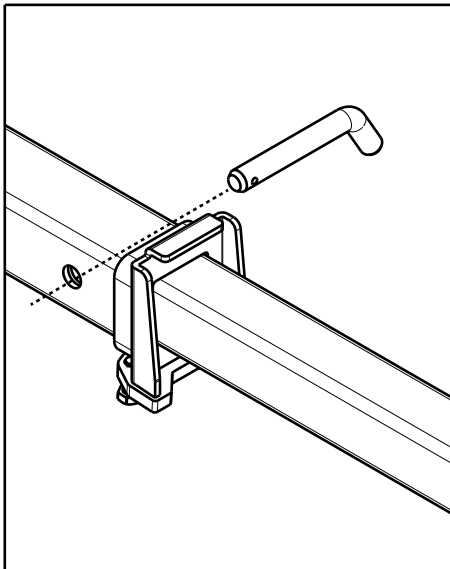
P/N: VH072

STEP 1



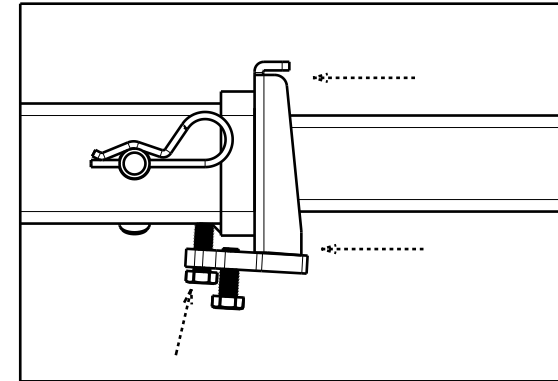
Mount the three 3/8" bolts to the bracket. Insert bracket to the main tube as shown in figure above.

STEP 2



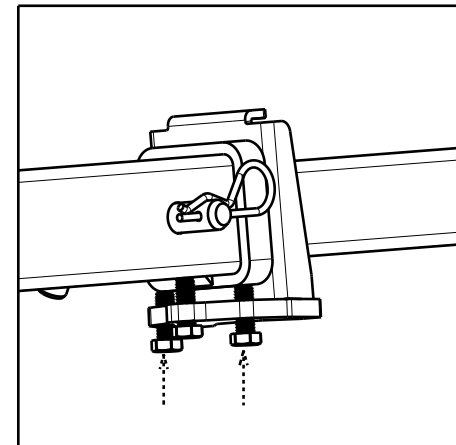
Insert main tube to vehicle's receiver hitch and install hitch pin (not included).

STEP 3



Position the anti-tilt bracket such that it sits flush against the hitch collar. Tighten center bolt until it fits snugly against the receiver hitch underside. Due to variation between hitches, the center bolt might land on the weldment or collar edge.

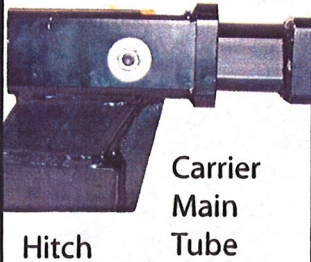
STEP 4



Tighten the two side bolts; then re-tighten the center bolt. Make sure the bolts are tight enough such that no slack exist between the main tube and the hitch. Test by rocking the carrier from the sides. Road vibration may cause bolts to loosen over time. Check the bolts periodically.

NOTE: It is normal for some deformation to occur on the contact area between the main tube and the anti-tilt bracket.

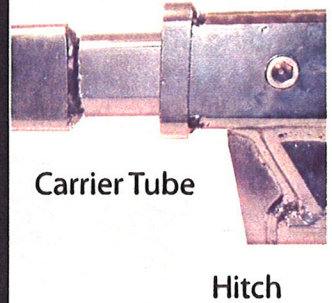
Bolt Head Side View



Top View



Nut and Washer Side View



If the Anti-Tilt Lock Bracket does not fit, there is an alternative. Use the Anti-Tilt Hitch Attachment Bolt. The Anti-Tilt Hitch Attachment Bolt has a 7/18" thread size, a 3/8" Allen head size, and a 5/8" outer head size. Follow these instructions: Slide the Main Tube of the carrier into the hitch receiver. Secure the Main Tube to the receiver with the Anti-Tilt Bolt, Washer, and Nut as shown in the image. The Bolt must be inserted into the 7/16" hole, not the 5/8" hole. **Note: Do not put a washer at the bolt head.** The bolt head should be recessed into the receiver hole and putting pressure on the Main Tube of the Carrier inside the receiver.

Anti-Tilt Lock Bracket (Alternative) Instructions

