

Warning

A warning indicates a potentially hazardous situation which, if not avoided, could result in death or serious injury.

1. Read all instructions and save them for later reference.
2. Follow all warnings and instructions marked on the product.
3. Do not stand on the carrier.
4. Do not ride any vehicle during loading.
5. Store the B-Dawg carrier in a safe place.
6. Do not exceed vehicle tongue weight rating.
7. Only use with class III hitch.
Most class III hitches limit total hauling capacity to 500 lbs.
8. Improper use of carrier could result in death or serious injury.
9. Do not put the carrier onto a 5th wheel trailer or any other kind of trailer.
10. **Carrying capacity is limited to 400 lbs. max. Your vehicle suspension and hitch may limit the hauling capacity of the carrier.** For more information on vehicles and hauling capacities, visit www.bdawgcarriers.com.

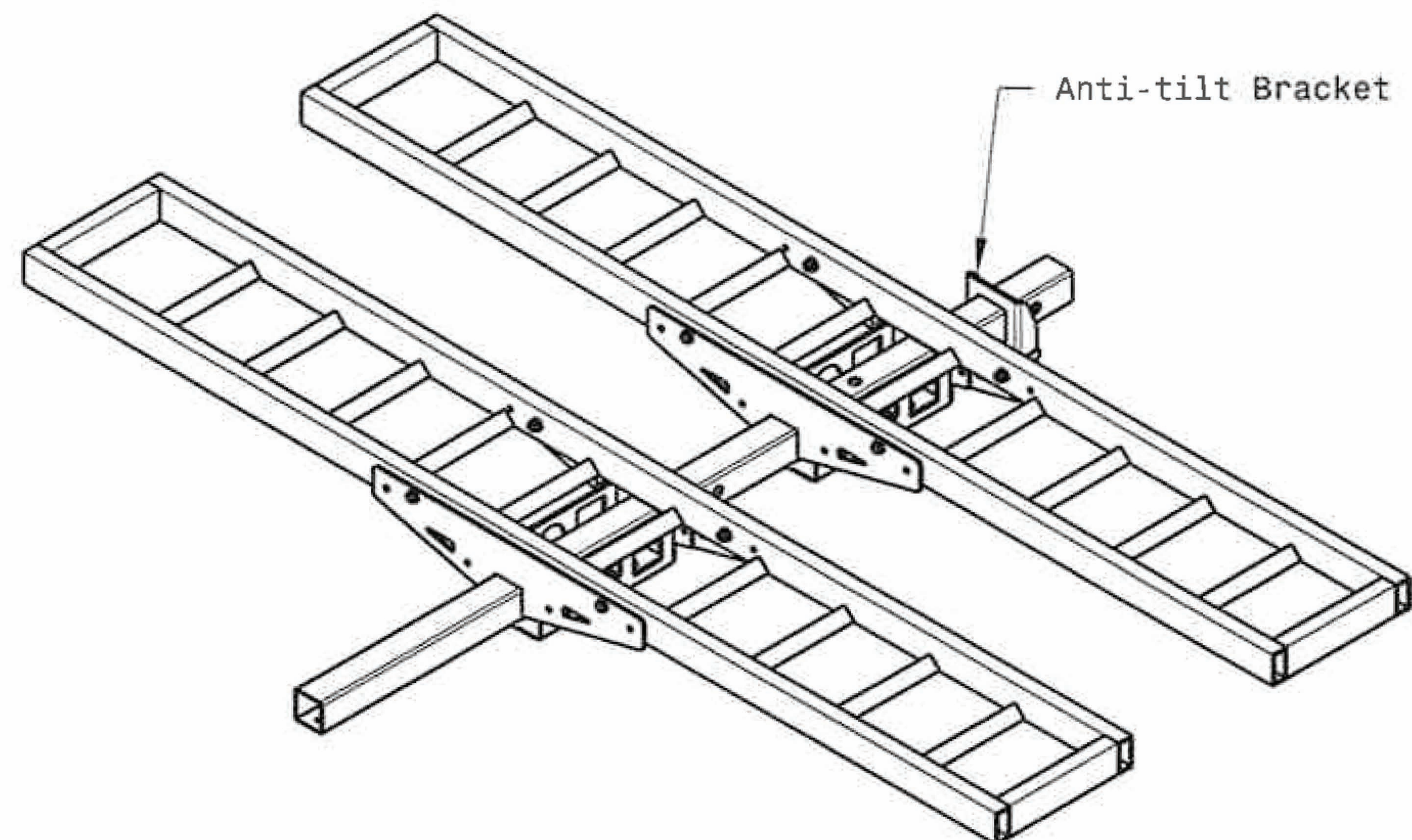
Manufacturer Information:

BNK, Inc.
9341 S. St. Rd. 39
Winamac, IN 46996
(888) 818-9915

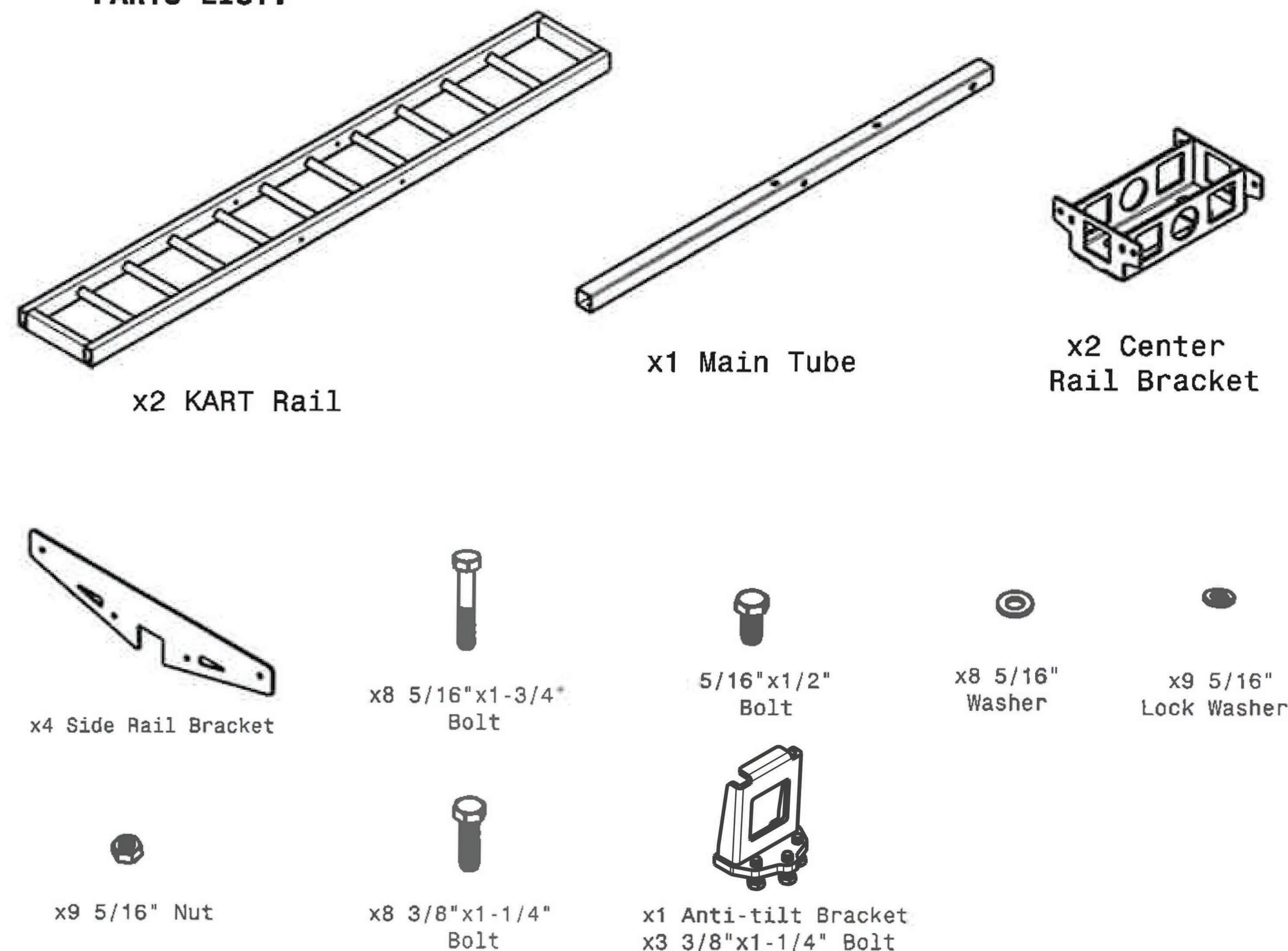
Product Name: B-Dawg Kart Carrier
Product Description: Aluminum kart carrier
Model Number(s): BD-KART

Serial number _____
(please fill in serial number affixed to the carrier)

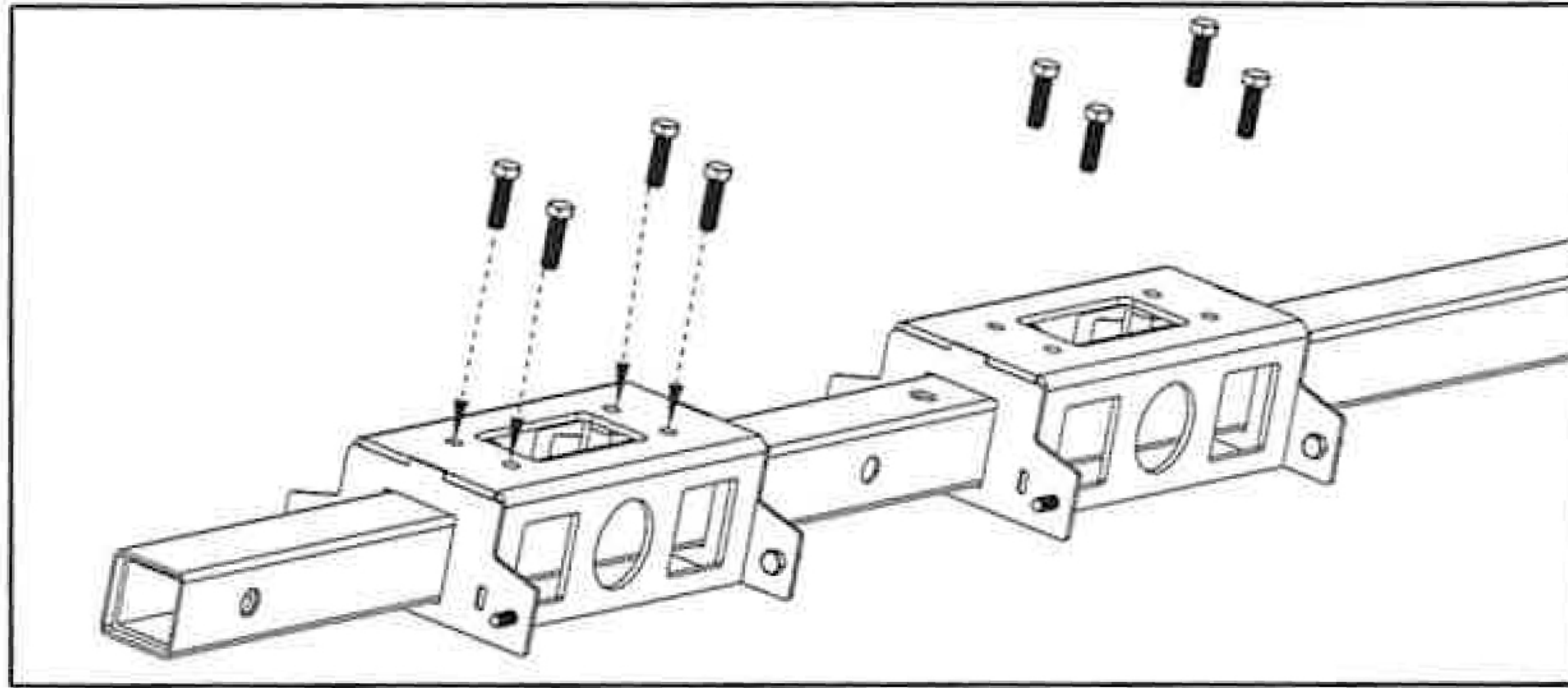
BD-KART INSTRUCTIONS BOOKLET



PARTS LIST:

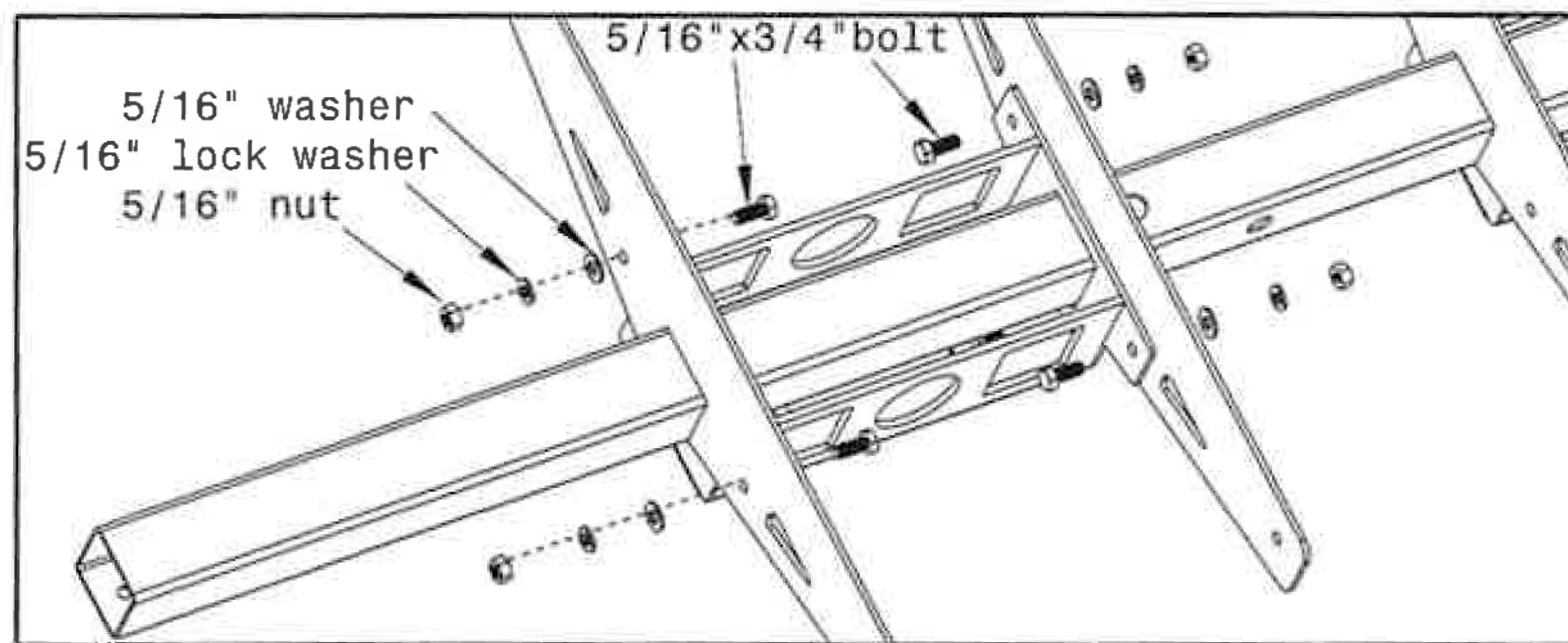


STEP 1



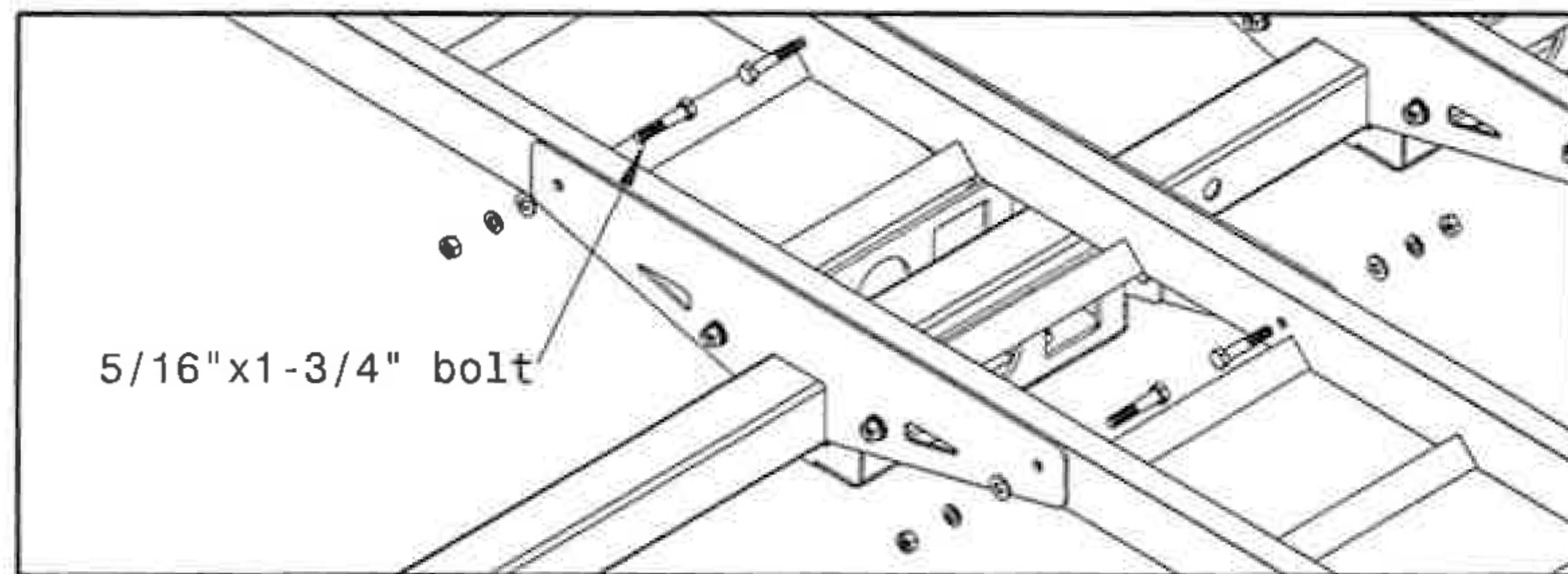
Slide rail brackets onto main holding tube and adjust according to desired length. Tighten the four 3/8"x 3/4" bolts for each bracket to lock position of rail brackets. This setting can be readjusted at a later time.

STEP 2



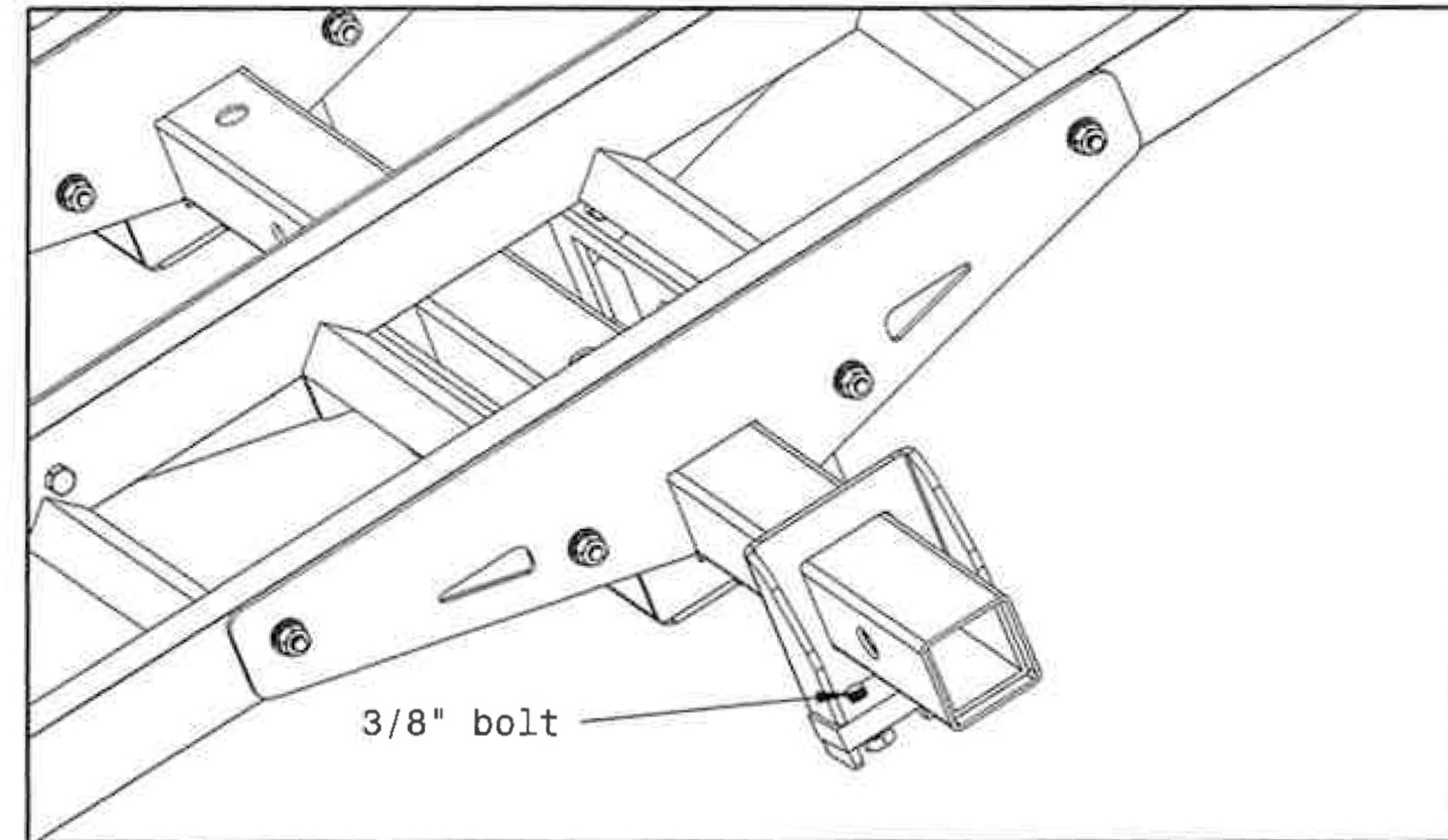
Attach the side rail brackets to the sides of the center rail bracket. Bolt them together using the 5/16"x3/4" bolts, 5/16" washers, lock washers and nuts. Do not tighten the bolts just yet. Leave them loose until the rails are installed.

STEP 3



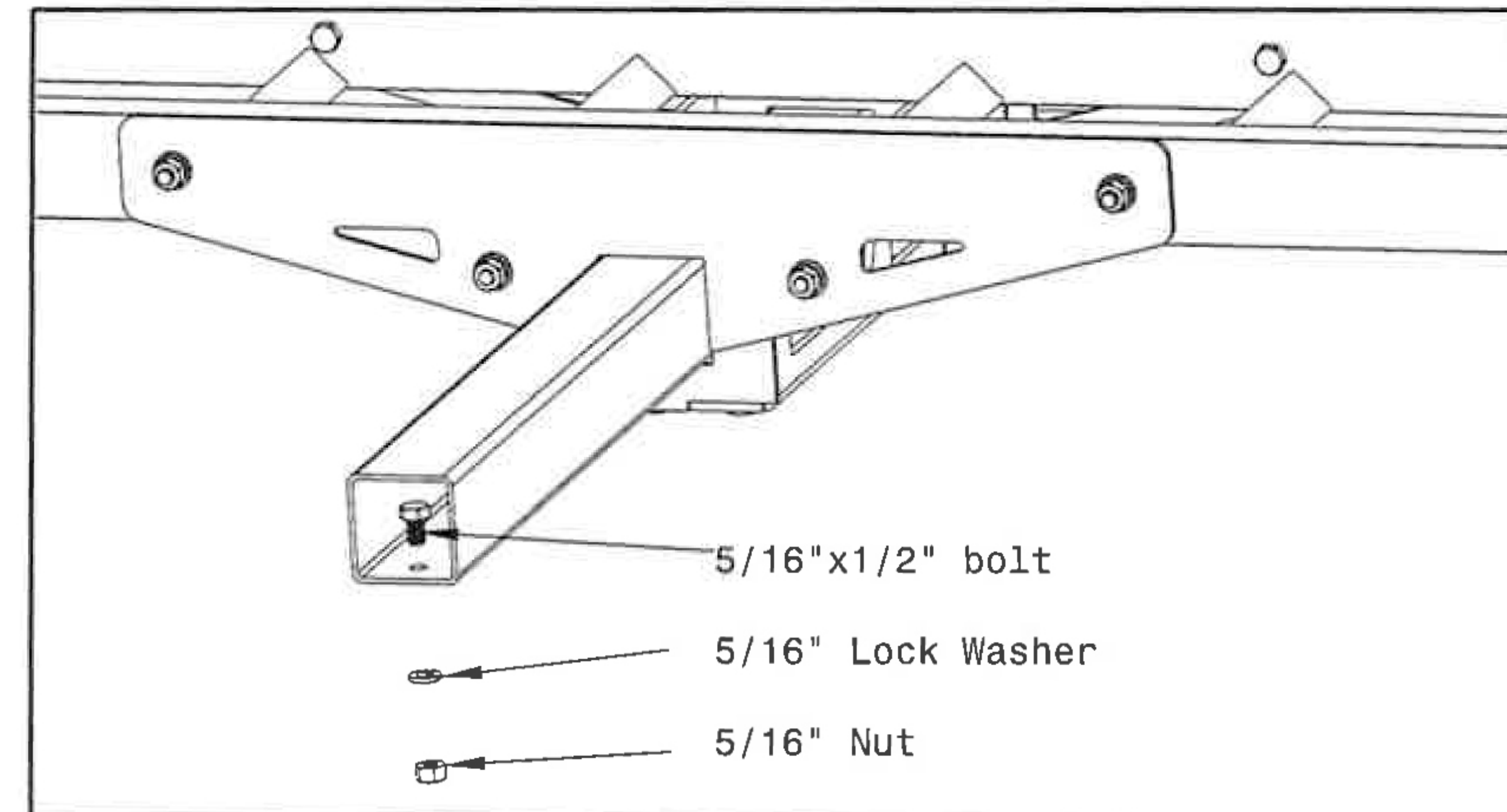
Now insert the 2 main rails into the previously assembled brackets. Bolt the rails to the brackets using 5/16"x1-3/4" bolts, 5/16" washers, lock washers and nuts. Now tighten all 5/16" bolts, including the ones left loose previously.

STEP 4



Insert the Anti-tilt bracket onto the Main Tube and insert the carrier into your hitch receiver. Once the carrier is secured with your hitch pin, push the anti-tilt bracket against the lip on your hitch receiver and tighten the 3/8" bolts, sides first, followed by the middle one.

STEP 5



As a final safety precaution, bolt in and tighten a 5/16"x1/2" bolt at the end of the main holding tube, together with the 5/16" lock washer and nut.

Inside Width of
Carrier Rail

8.00"

From Pin to
Center of Rail

10"

71.50"
Length of
Carrier Rail

Distance between
Center Rails
(adjustable 10" - 30")

